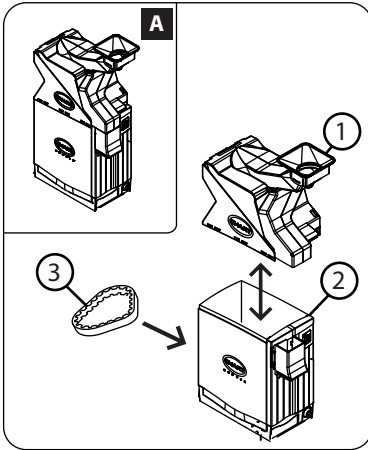
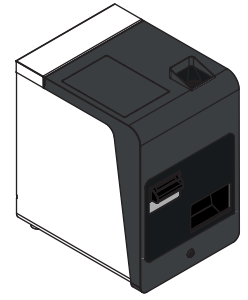
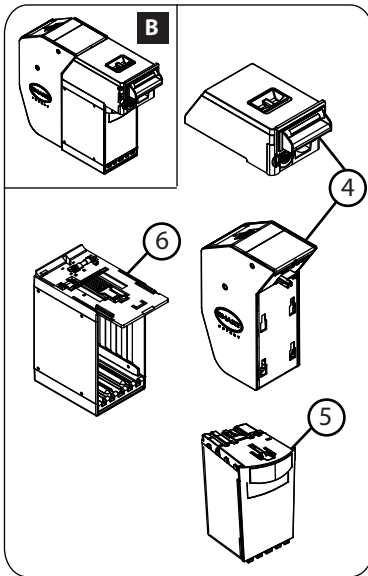


# SPARE PARTS LIST AZSAFE-0



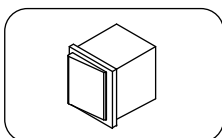
## A) ASSEMBLY MODULE SMART COIN SYSTEM

1. **MPK006** coin feeder assembly
2. **MPK004** smart hopper
3. **MPF127** belt

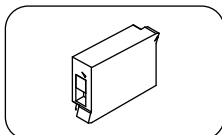


## B) ASSIEME MODULO SMART PAYOUT

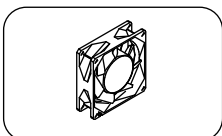
4. **MPK021** validator + pay out module
5. **MPK015** stacker 500 safe money
6. **MPK019** chassis cashbox



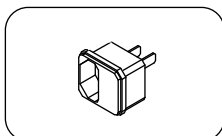
**OG3TE411B**  
switch ON/off



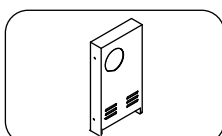
**MPK007**  
usb interface module



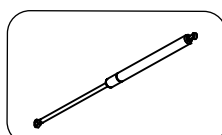
**MPZ938**  
cooling fan



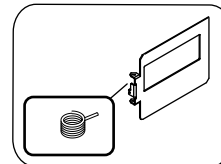
**MPL014**  
power sockets



**MPQ071**  
power supply



**MPB692**  
gas piston



### MPZ940

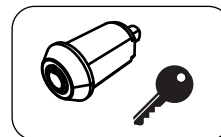
assembly validator metal frame and spring

1. **MPB690** validator metal frame
2. **MPB559** spring



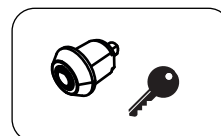
x4

**OG3V4007A**  
rubber feet



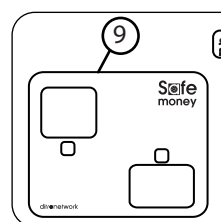
### MPB683

lock with key front door



### MPK002

lock with key internal devices



### 8.MPD480I

adhesive ins. coins

9. **MPF120I**  
front panel

## MAIN CABLES

- MPM183 POWER CORD
- MPK009 SMART HOPPER POWER CABLE
- MPK008 DUAL CABLE eSSP INTERFACE
- MPK010 USB CABLE

**Ditron**



Assistance contacts

e. [commercial@ditron.eu](mailto:commercial@ditron.eu)  
t. +390812428557  
w. [www.ditron.eu](http://www.ditron.eu)