

S3

SUPREMA

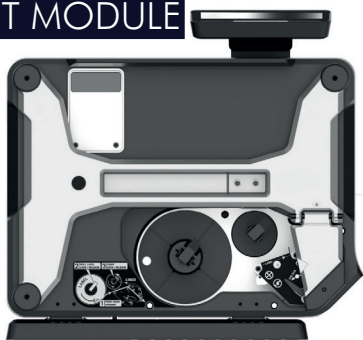
bilance dal 1939

HIGH PERFORMANCE DISPLAY



ADJUSTABLE KEYBOARD

WEIGHT MODULE



2" PRINTER



ROLL COMPARTMENT



SUPREMA

bilance dal 1939



LOW VERSION
WITH POLE



LOW VERSION



S3

TECHNICAL FEATURES

| | |
|-----------------------|--|
| CAPACITY | Multirange 12/30 kg - 2/5 g Multirange 6/15 kg - 2/5 g |
| DISPLAY | Operator and customer 5" graphic with 480x800 resolution |
| KEYBOARD | 50 keys |
| OPERATORS | 4 direct (+50 programmable) |
| PLU | 10000 |
| PRINTER | 2" with peeler - printing speed 150 mm/sec - resolution 200dpi |
| CONNECTIONS | 1 ethernet RJ45 100Mbps, 1 RS232 RJ45, 1 RJ11, 2 usb 2.0 |
| OPERATING TEMPERATURE | -10°C/+40°C (non-condensing humidity) |
| POWER SUPPLY | Primary source - 230Vac power supply, 24V 3 A output With backup battery Lithium ions 8.4V (to close the transaction) |
| CONSUMPTION SCALE | With machine waiting approximately 15W, printing approximately 60W |
| DIMENSIONS | 373mm x 415mm x 520mm (Low version with pole) 165mm (Low version) |
| WEIGHT | 16kg |



Ditron
group

Via Antiniana, 115 - 80078 Pozzuoli (NA) - Italy - phone: +39 0812428557
e-mail: commercial@ditron.eu - website: www.ditron.eu